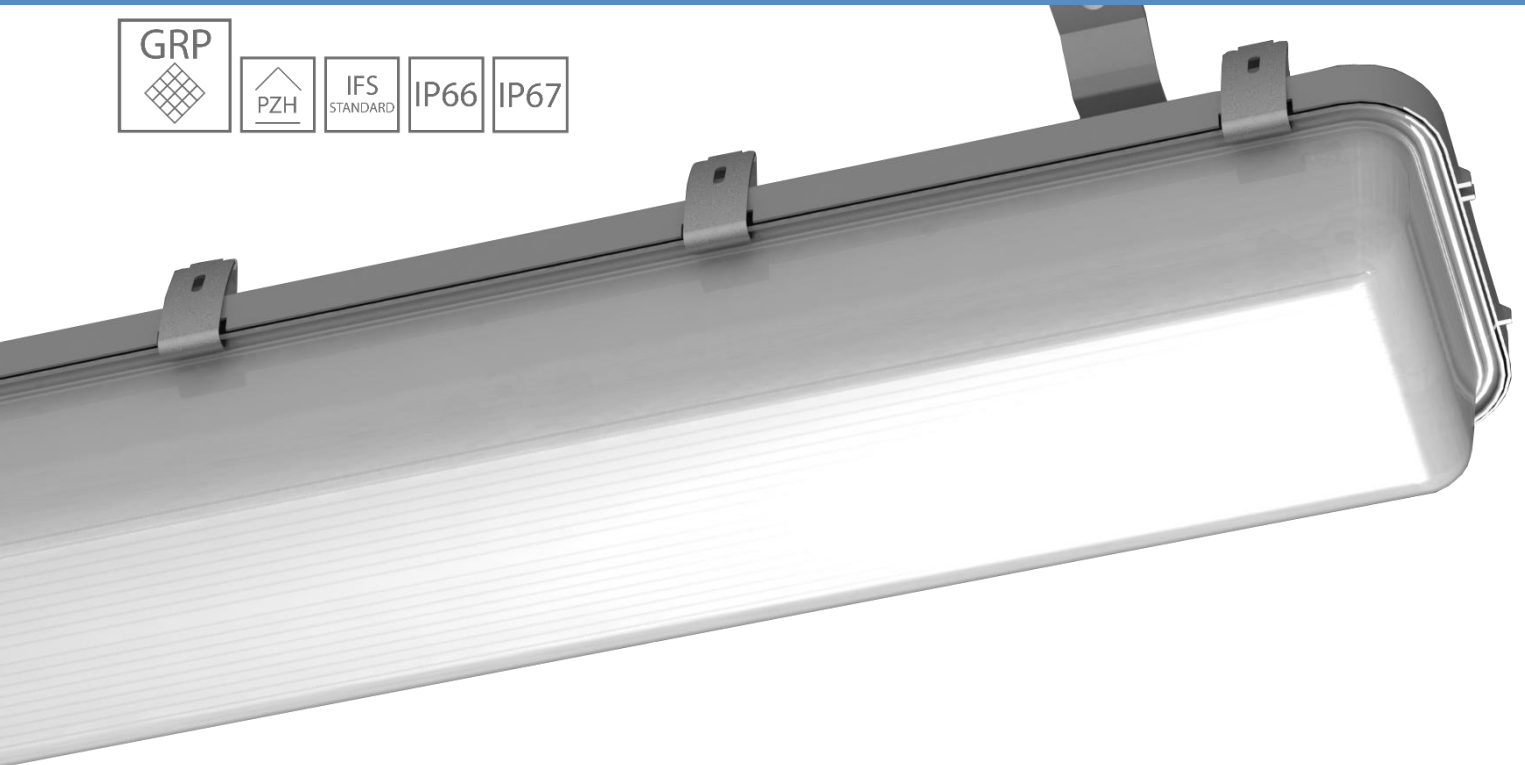




INSTALLATION AND MAINTENANCE MANUAL FOR
LIGHT FITTING

INS250LED



Carefully read the instructions before
mounting the light fitting.

TABLE OF CONTENTS

1.	GENERAL INFORMATION.....	3
2.	TECHNICAL INFORMATION.....	3
3.	PHOTOMETRICAL DATA.....	4
4.	CONSTRUCTION DESCRIPTION	4
5.	PRELIMINARIES.....	4
6.	LIGHT FITTING MOUNTING.....	4
7.	ELECTRICAL CONNECTION	5
8.	CONDITIONS OF SAFETY USE.....	5
9.	LIGHT FITTING MAINTANANCE AND SERVICING	6
10.	PARTS EXCHANGE	6
11.	REPAIRING	6
12.	LAMPS EXCHANGE	6
13.	TRANSPORT AND CONDITIONS OF STORAGE	7
14.	DISPOSAL OF WASTE EQUIPMENT	7
15.	WARRANTY	7

1. GENERAL INFORMATION

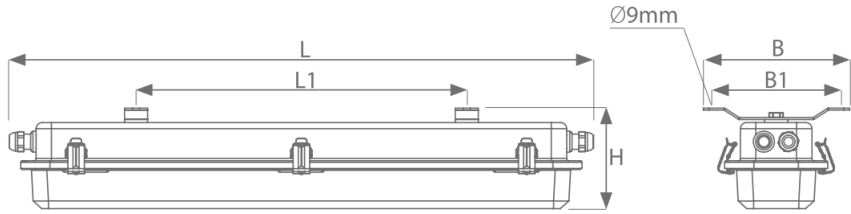
Waterproof and dustproof industrial light fitting with LED modules. Designed to light indoor and outdoor areas such as corridors, halls, warehouses.

DOSTĘPNE KONFIGURACJE | AVAILABLE OPTIONS

I	N	S	2	5	0	L	E	D	—	0	6	0	0	—	J	2	1	—	3	5	E	—	30	10	—	P	2	0	—	GRP	—	PC	AMO1		
grupa group		typ type		przybliżona długość approximate length										typ modułu LED / LED module type		ilość / quantity		prąd sterowania driving current		zasilanie power supply		okablowanie wiring		wpusty kablowe cable inlets		materiał obudowy housing material		materiał klosza diffuser material		uchwyt mocujący outtrim bracket					

2. TECHNICAL INFORMATION

Type	Power	Electrical unit	IP	Protection class	Power factor	Ambient temp.
INS250LED-0600-J2-1	20,5 W	230V 0,50,60Hz	66/67	I	≥0,95	-25 do +45 °C
INS250LED-0600-J2-3	29 W					
INS250LED-1200-J4-1	38,7 W					
INS250LED-1200-J4-3	55 W					
INS250LED-1200-B4-1	70,7 W					-25 do +40 °C



Type	L	L1	B	B1	H
INS250LED-0600	673	450	190	160	134
INS250LED-1200	1283	660			

3. PHOTOMETRICAL DATA

Type	Luminous flux	Efficiency	Colour temperature	CRI	Lifetime
INS250LED-0600-J2-1	2440 lm	119 lm/W	4000K	>80	>70000 h
INS250LED-0600-J2-3	3180 lm	110 lm/W			
INS250LED-1200-J4-1	4795 lm	124 lm/W			
INS250LED-1200-J4-3	6550 lm	119 lm/W			
INS250LED-1200-B4-1	9045 lm	128 lm/W			

Lifetime of a LED modules: L₈₀B₁₀

4. CONSTRUCTION DESCRIPTION

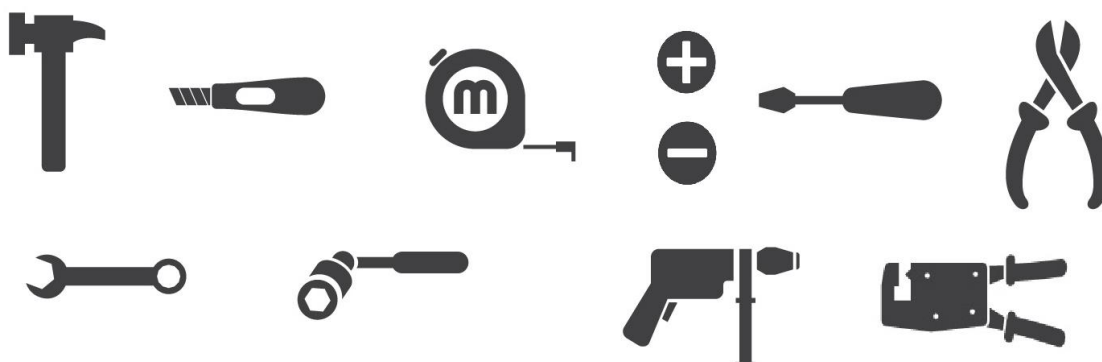
Housing is made of glass fibre reinforced polyester. Diffuser is made of polycarbonate or PMMA. Mounting tray is made of galvanized steel sheet. Clamps are made of stainless steel.

5. PRELIMINARIES

CONDITIONS OF SAFETY RULES

- Carefully read all the information included in the manual before mounting the light fitting
- General safety must be applied.
- Failure to comply with rules of the installation and use can lead to personal injury or property loses. Company ATM Lighting sp. z o.o. takes no responsibility in such cases.
- Failure to comply with rules included in manual results with void of the manufacturer warranty.

NECESSARY TOOLS



6. LIGHT FITTING MOUNTING

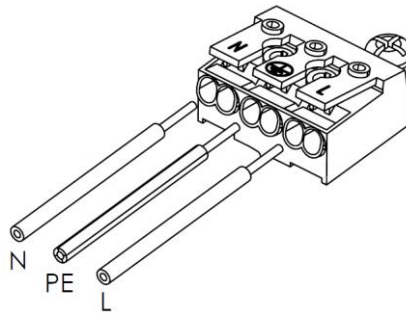
Light fittings is mounted with use of two brackets, designed for direct installation on the ceiling or on the wall with use of mounting brackets. Spacing and size of the mounting holes are in point 2.

7. ELECTRICAL CONNECTION

To connect power supply:

- enter the power cable to the housing through the cable entry (gland),
- carefully unisolate the cables cores (8-10mm), and put it into the connector according to marking inside the light fitting,
- precisely tighten power cable in the gland with two wrench,
- check the effectiveness of grounding.

Power connection:



Remarks:

- Use one wrench to tighten the sealing nut, while using the second wrench to block gland body against rotation, otherwise damage of the sealing can be caused and therefore sealing level will be decreased.

8. CONDITIONS OF SAFETY USE

- Every light fitting has to have rating plates with rating data on it. Each light fitting must have this „Installation and maintenance manual” , which must be kept by user until the end of exploitation.
- Light fittings are designed for fixed installations only.
- Using light fitting outside the designated operating temperature range will decrease a lifetime of light fitting and/or damage it. It will also cause a loss of warranty.
- Each light fitting must have a warning sign: „do not open under voltage” on it.
- Admission cables must have 3-wires (with PE wire) and diameter 8-13mm.
- Use power wires with section 0,5-1,8mm².
- Maximum cross current I=16A.
- The diffuser is made of polycarbonate, so it mustn't be exposed on chemical substances which may destroy it, especially: oil, acetone, chloride, ethyl, ether. In case of doubts with substances are in work place of light fitting, which can damage the product, the action of fixing should be taken.

9. LIGHT FITTING MAINTENANCE AND SERVICING

REMARK: during the servicing and maintenance touching of LED are prohibited, because it will decrease the lifetime of light fitting and cause the loss of manufacturer's warranty.

INSPECTION: at least once a month. Inspection is made without opening the light fitting. User must check admission cables condition (insulation damage, cracks, burns etc.). Cables must not have any acute bends. Outside parts of the light fitting must be checked. No cracks or corrosion signs may occur. Bolts used to mount light fitting should be properly tightened, washers mustn't be cracked. Cleanliness of outer surfaces and light fittings surroundings must be checked. Light fittings may not be soiled by paint or grease. Do not allow for dust (dirt) deposition on the light fitting. The readability of rating and warning plates must be checked. Abnormalities found must be fixed.

SERVICE AND MAINTENANCE: at least once a year. Service and maintenance must be made with power supply turned off. User must make inspection steps first. After opening the metal parts painting, condition of inner wiring and its mounting, insulating materials, cable glands gaskets, terminals. Lampholder and the reliability of light source mounted in it must be checked. Abnormalities found must be fixed. Rating and warning plates must be cleaned. Surfaces of insulating materials and covers must be clean.

VERIFICATION OF TECHNICAL CONDITION: at least once for 2 years. Power supply must be switched off. Light fitting must be uninstalled. Besides all the examination from inspection, service and maintenance paragraphs electrical examination from the inspection, service and maintenance paragraphs electrical examination must be also made: light fitting current consumption, insulation examination, protective earthing condition. Special attention must be paid to insulating parts condition. No crack or burns may occur.

CLEANING: do not allow for dust (dirt) deposition on the light fitting. Cleaning must be proceeded without use of chemical. Cleaning must be proceeded with use of compressed air and soft cleaning cloth or soft brush. If necessary use water and/or neutral detergent, however without any chemicals, which can damage any part of the light fitting.

10. PARTS EXCHANGE

All of parts considered as a spare parts must be ordered at manufacturer of light fitting.

11. REPAIRING

All repairs (excluding lamps exchange) may be made only by manufacturer or authorized repair workshops.

12. LAMPS EXCHANGE

Can be performed only by personnel appropriately trained and authorized to the service of the light fitting.

13. TRANSPORT AND CONDITIONS OF STORAGE

During transportation light fittings shouldn't be exposed to precipitation or mechanical shock.

Light fittings may be storage only in sheltered warehouses, within +5°C to +35°C temperature range, and relative humidity lower than 75%. No corrosion causing vapors or gases should be present.

14. DISPOSAL OF WASTE EQUIPMENT

User must obey relevant rules and regulations about disposal of wasted equipment valid in their country.

15. WARRANTY

- It is forbidden to use damaged or malfunctioned light fitting. In order of detect any abnormalities, controls should be taken.
- It is required to disconnect power supply from the light fitting before any maintenance work.
- All specific information can be found in document „General terms and conditions warranty ATM Lighting sp. z o.o.” available at the website www.atmlighting.pl/en/

ADDRESS:

ATM Lighting sp. z o.o.

ul. Budowlanych 31 80-298 Gdańsk

tel: +48 58 347 51 07 fax: +48 58 347 51 08

office@atmlighting.pl