



INSTALLATION AND MAINTENANCE MANUAL FOR  
LIGHT FITTING

# INS310LED



Carefully read the instructions before  
mounting the light fitting.

## TABLE OF CONTENTS

1.	GENERAL INFORMATION.....	3
2.	TECHNICAL INFORMATION.....	3
3.	PHOTOMETRICAL DATA.....	4
4.	CONSTRUCTION DESCRIPTION .....	4
5.	PRELIMINARIES.....	4
6.	LIGHT FITTING MOUNTING.....	5
7.	ELECTRICAL CONNECTION .....	5
8.	CONDITIONS OF SAFETY USE.....	6
9.	LIGHT FITTING MAINTANANCE AND SERVICING .....	6
10.	PARTS EXCHANGE.....	7
11.	REPAIRING .....	7
12.	LAMPS EXCHANGE .....	7
13.	TRANSPORT AND CONDITIONS OF STORAGE .....	7
14.	DISPOSAL OF WASTE EQUIPMENT .....	7
15.	WARRANTY .....	7

## 1. GENERAL INFORMATION

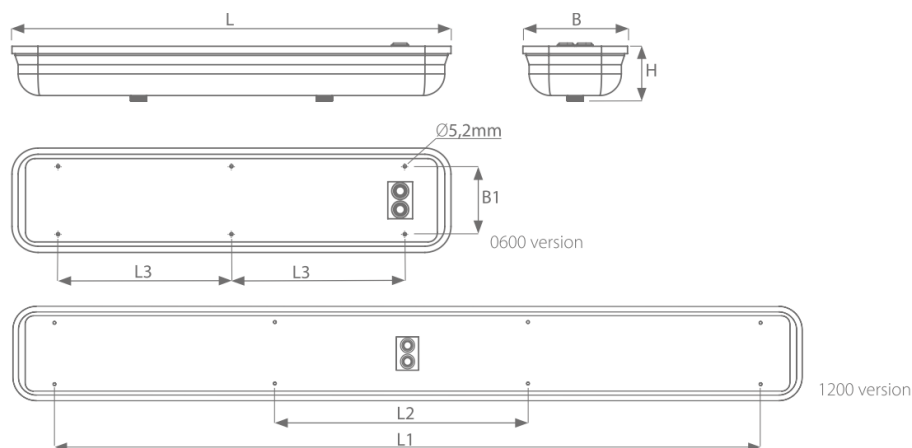
Light fitting with LED modules dedicated for food industry. Designed for installation on ceiling. Device is equipped with optics preventing dazzle.

DOSTĘPNE KONFIGURACJE | AVAILABLE OPTIONS

I	N	S	3	1	0	L	E	D	—	0	6	0	0	—	J	2	—	—	—	3	5	E	—	30	—	—	1	1	—	P	C	I	—	N	I	R	O	—	P	C
grupa	typ									przybliżona długość					typ modułu LED / LED module type					zasilanie				okablowanie				wpusty kablowe				material obudowy				material klosza				
group	type									approximate length										power supply				wiring				inlets				housing material				diffuser material				

## 2. TECHNICAL INFORMATION

Type	Power	Electrical unit	IP	Protection class	Power factor	Ambient temp.
INS310LED-0600-J2-1	20,6 W	230V 0,50,60Hz	65	I	≥0,95	-25 do +45°C
INS310LED-0600-J2-3	28,2 W					-25 do +40°C
INS310LED-1200-J4-1	38,8 W					-25 do +45°C
INS310LED-1200-J4-3	55,5 W					-25 do +40°C
INS310LED-1200-B4-1	71 W					



Type	L	L1	L2	L3	B	B1	H
INS310LED-0600	710	560	-	280	170	110	90
INS310LED-1200	1325	1170	390	-			

### 3. PHOTOMETRICAL DATA

Type	Luminous flux	Efficiency	Colour temperature	CRI	Lifetime
INS310LED-0600-J2-1	2254 lm	110 lm/W	4000K	>80	>70000 h
INS310LED-0600-J2-3	3095 lm	110 lm/W			
INS310LED-1200-J4-1	4653 lm	120 lm/W			
INS310LED-1200-J4-3	6140 lm	111 lm/W			
INS310LED-1200-B4-1	9310 lm	131 lm/W			

Lifetime of a LED modules:  $L_{80}B_{10}$

### 4. CONSTRUCTION DESCRIPTION

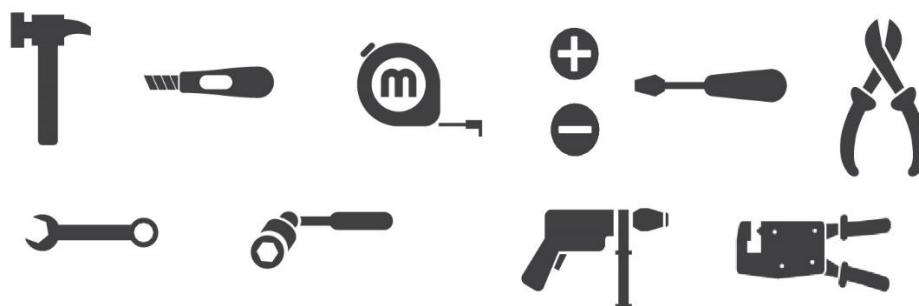
Housing is made of pressed stainless steel. Diffuser is made of polycarbonate. Mounting tray is made of galvanized steel sheet.

### 5. PRELIMINARIES

#### CONDITIONS OF SAFETY RULES

- Carefully read all the information included in the manual before mounting the light fitting
- General safety must be applied.
- Failure to comply with rules of the installation and use can lead to personal injury or property losses. Company ATM Lighting sp. z o.o. takes no responsibility in such cases.
- Failure to comply with rules included in manual results with void of the manufacturer warranty.

#### NECESSARY TOOLS



## 6. LIGHT FITTING MOUNTING

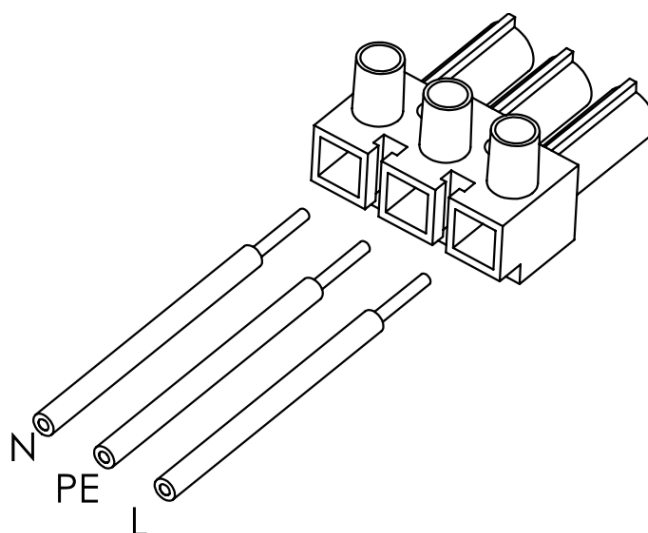
Light fitting is designed for direct installation on ceiling or wall.

## 7. ELECTRICAL CONNECTION

To connect power supply:

- enter the power cable to the housing through rubber cable entry,
- carefully make a hole in cable gland. The diameter of the hold need to provide a tight fit of the gland membrane with power cable,
- carefully unisolate the cables cores (8-10mm), and put it into the connector according to marking inside the light fitting,
- check the effectiveness of grounding.

Power connection:



## 8. CONDITIONS OF SAFETY USE

- Every light fitting has to have rating plates with rating data on it. Each light fitting must have this „Installation and maintenance manual” , which must be kept by user until the end of exploitation.
- Light fittings are designed for fixed installations only.
- Using light fitting outside the designated operating temperature range will decrease a lifetime of light fitting and/or damage it. It will also cause a loss of warranty.
- Each light fitting must have a warning sign: „do not open under voltage” on it.
- Admission cables must have 3-wires (with PE wire) and diameter 8-13mm.
- Use power wires with section 0,5-1,8mm<sup>2</sup>.
- Maximum cross current I=16A.
- The diffuser is made of polycarbonate, so it mustn't be exposed on chemical substances which may destroy it, especially: oil, acetone, chloride, ethyl, ether. In case of doubts with substances are in work place of light fitting, which can damage the product, the action of fixing should be taken.

## 9. LIGHT FITTING MAINTENANCE AND SERVICING

**REMARK:** during the servicing and maintenance touching of LED are prohibited, because it will decrease the lifetime of light fitting and cause the loss of manufacturer's warranty.

**INSPECTION:** at least once a month. Inspection is made without opening the light fitting. User must check admission cables condition (insulation damage, cracks, burns etc.). Cables must not have any acute bends. Outside parts of the light fitting must be checked. No cracks or corrosion signs may occur. Bolts used to mount light fitting should be properly tightened, washers mustn't be cracked. Cleanliness of outer surfaces and light fittings surroundings must be checked. Light fittings may not be soiled by paint or grease. Do not allow for dust (dirt) deposition on the light fitting. The readability of rating and warning plates must be checked. Abnormalities found must be fixed.

**SERVICE AND MAINTENANCE:** at least once a year. Service and maintenance must be made with power supply turned off. User must make inspection steps first. After opening the metal parts painting, condition of inner wiring and its mounting, insulating materials, cable glands gaskets, terminals. Lampholder and the reliability of light source mounted in it must be checked. Abnormalities found must be fixed. Rating and warning plates must be cleaned. Surfaces of insulating materials and covers must be clean.

**VERIFICATION OF TECHNICAL CONDITION:** at least once for 2 years. Power supply must be switched off. Light fitting must be uninstalled. Besides all the examination from inspection, service and maintenance paragraphs electrical examination from the inspection, service and maintenance paragraphs electrical examination must be also made: light fitting current consumption, insulation examination, protective earthing condition. Special attention must be paid to insulating parts condition. No crack or burns may occur.

**CLEANING:** do not allow for dust (dirt) deposition on the light fitting. Cleaning must be proceeded without use of chemical. Cleaning must be proceeded with use of compressed air and soft cleaning cloth or soft brush. If necessary use water and/or neutral detergent, however without any chemicals, which can damage any part of the light fitting.

## 10. PARTS EXCHANGE

All of parts considered as a spare parts must be ordered at manufacturer of light fitting.

## 11. REPAIRING

All repairs (excluding lamps exchange) may be made only by manufacturer or authorized repair workshops.

## 12. LAMPS EXCHANGE

Can be performed only by personnel appropriately trained and authorized to the service of the light fitting.

## 13. TRANSPORT AND CONDITIONS OF STORAGE

During transportation light fittings shouldn't be exposed to precipitation or mechanical shock.

Light fittings may be storage only in sheltered warehouses, within +5°C to +35°C temperature range, and relative humidity lower than 75%. No corrosion causing vapors or gases should be present.

## 14. DISPOSAL OF WASTE EQUIPMENT

User must obey relevant rules and regulations about disposal of wasted equipment valid in their country.

## 15. WARRANTY

- It is forbidden to use damaged or malfunctioned light fitting. In order of detect any abnormalities, controls should be taken.
- It is required to disconnect power supply from the light fitting before any maintenance work.
- All specific information can be found in document „General terms and conditions warranty ATM Lighting sp. z o.o.” available at the website [www.atmlighting.pl/en/](http://www.atmlighting.pl/en/)

## ADDRESS:

**ATM Lighting sp. z o.o.**

ul. Budowlanych 31 80-298 Gdańsk

tel: +48 58 347 51 07 fax: +48 58 347 51 08

[office@atmlighting.pl](mailto:office@atmlighting.pl)