



INSTALLATION AND MAINTENANCE MANUAL FOR  
LIGHT FITTING

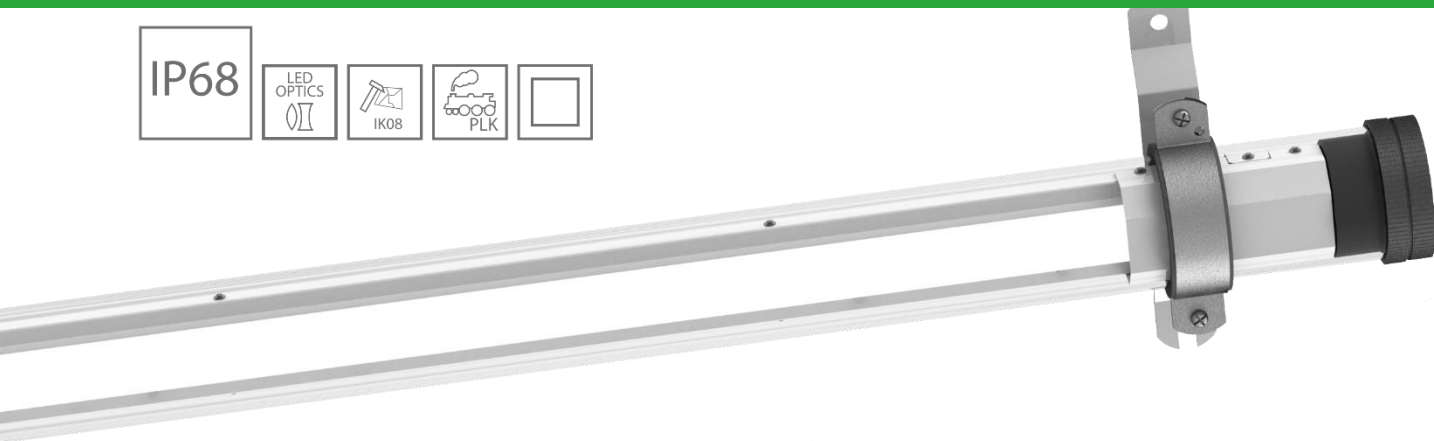
# INS240LED

IP68

LED  
OPTICS

IK08

PLK



Carefully read the instructions before  
mounting the light fitting.

# TABLE OF CONTENTS

1.	GENERAL INFORMATION.....	3
2.	TECHNICAL INFORMATION .....	3
3.	PHOTOMETRICAL DATA.....	4
4.	CONSTRUCTION DESCRIPTION .....	4
5.	PRELIMINARIES .....	4
6.	LIGHT FITTING MOUNTING .....	5
7.	ELECTRICAL CONNECTION .....	5
8.	CONDITIONS OF SAFETY USE.....	6
9.	LIGHT FITTING MAINTANANCE AND SERVICING.....	6
10.	PARTS EXCHANGE .....	7
11.	REPAIRING .....	7
12.	LAMPS EXCHANGE .....	7
13.	TRANSPORT AND CONDITIONS OF STORAGE.....	7
14.	DISPOSAL OF WASTE EQUIPMENT.....	7
15.	WARRANTY .....	7

## 1. GENERAL INFORMATION

Waterproof light fitting with LED module. Special screw prevents unauthorized access.

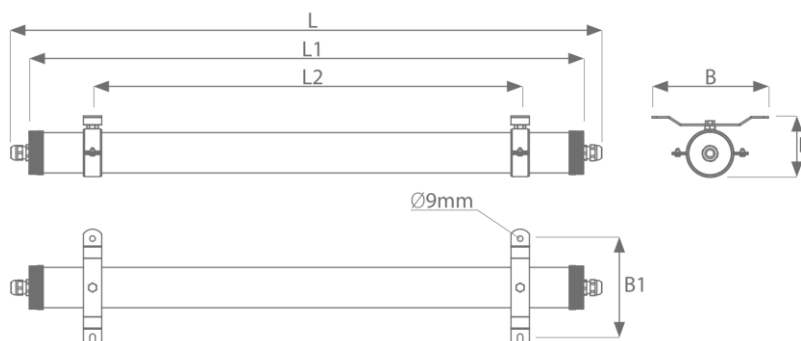
DOSTĘPNE KONFIGURACJE | AVAILABLE OPTIONS

I	N	S	2	4	0	L	E	D	—	0	6	0	0	—	A	1	B	1	—	0	1	1	E	—	20	10	—	P	2	0	—	PC	—	AMO1
										1	2	0	0				C	2		2	3	5	E		22	11						AMO3		
										1	5	0	0				N	3																
grupa group										przybliżona długość approximate length					typ modułu LED LED module type					ilość / quantity	prąd sterowania driving current		zasilanie power supply		okablowanie wiring		wpusty kablowe cable inlets		materiał obudowy housing material		uchwyt mocujący outting bracket			

LED module risk group RG=1

## 2. TECHNICAL INFORMATION

Type	Power	Electrical unit	IP	Protection class	Power factor	Ambient temp.
INS240LED-0900-N2-2	12,3 W	230V 0,50,60Hz	68	II	≥0,95	-25 do +40°C
INS240LED-1200-N3-2	17,9 W					
INS240LED-1500-N4-2	23,6 W					
INS240LED-1500-A1B1-2	31,8 W	24 VDC		III		-25 do +45°C
INS240LED-0900-C2-0	18 W					
INS240LED-1200-C3-0	26,9 W					



Type	L	L1	L2	B	B1	H
INS240LED-0900	960	910	adjustable	190	160	93
INS240LED-1200	1240	1190				
INS240LED-1500	1520	1470				

### 3. PHOTOMETRICAL DATA

Type	Luminous flux	Efficiency	Colour temperature	CRI	Lifetime
INS240LED-0900-N2-2	1537 lm	125 lm/W	4000K	>80	>70000 h
INS240LED-1200-N3-2	2279 lm	127 lm/W			
INS240LED-1500-N4-2	3097 lm	131 lm/W			
INS240LED-1500-A1B1-2	3831 lm	120 lm/W			
INS240LED-0900-C2-0	1720 lm	96 lm/W			
INS240LED-1200-C3-0	2580 lm	96 lm/W			

Lifetime of a LED modules:  $L_{80B_{10}}$

### 4. CONSTRUCTION DESCRIPTION

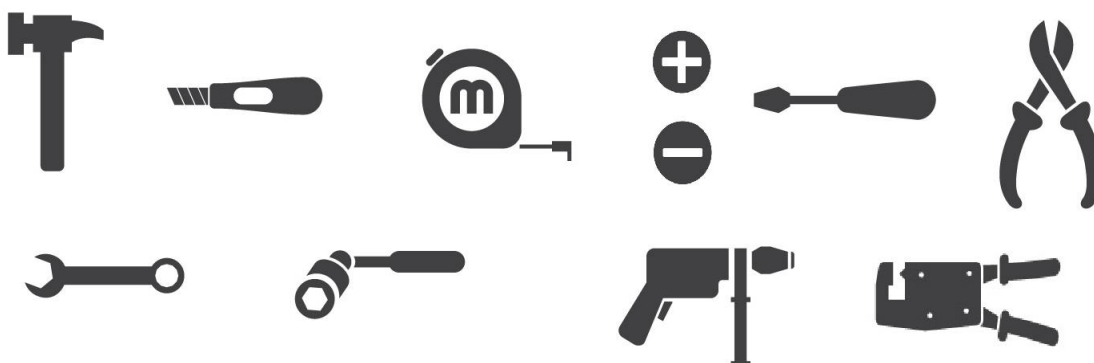
Housing is made of polycarbonate. Mounting tray is made of powder painted steel sheet.

### 5. PRELIMINARIES

#### CONDITIONS OF SAFETY RULES

- Carefully read all the information included in the manual before mounting the light fitting
- General safety must be followed.
- Failure to comply with rules of the installation and use can lead to personal injury or property loses. ATM Lighting sp. z o.o. company takes no responsibility in such cases.
- Failure to comply with rules included in manual results with void of the manufacturer warranty.

#### NECESSARY TOOLS



## 6. LIGHT FITTING MOUNTING

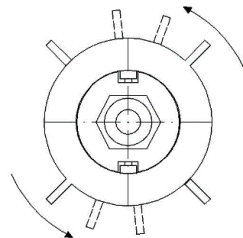
Light fitting is equipped with two independent mounting brackets. Distance between brackets is adjustable. Install brackets directly on PC tube. Installation is made by screwing two parts together and tightening it to prevent moving.

The light fitting was equipped with adjustable ceiling brackets. For installation dimensions look at point 2.

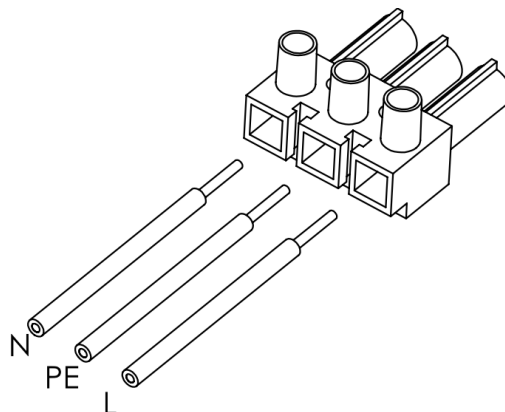
## 7. ELECTRICAL CONNECTION

In order to connect the admission to the light fitting perform following actions:

- unscrew end cap and remove it out of the tube



- Remove end-cap and mounting tray out of tube and pull the plug.
- Put the admission cable through the cable gland and connect it with the plug. The scheme of electric connection is depicted below. Make sure that wires are connected properly.
- Connect plug and socket.
- Tighten cable gland and install end endcap. Wrong installation may cause IP decrease.



Remarks:

- Use one wrench to tighten the sealing nut, while using the second wrench to block gland body against rotation, otherwise damage of the sealing can be caused and therefore sealing level will be decreased.

## 8. CONDITIONS OF SAFETY USE

- Every light fitting must have rating plates with rating data on it. Each light fitting is equipped with this „Installation and maintenance manual”, which must be kept by user until the end of exploitation.
- Light fittings are designed for fixed installations only.
- Using light fitting outside the designated operating temperature range is unacceptable and will decrease a lifetime of light fitting and/or damage it. It will also cause a loss of warranty.
- Each light fitting must have a warning sign: „do not open under voltage” on it.
- Admission cables must have 3-wires (with PE wire) and diameter 8-13mm.
- Use power wires with cross section 0,5-1,8mm<sup>2</sup>.
- Maximum cross current I=16A.
- The housing is made of polycarbonate, so it mustn't be exposed on chemical substances which may destroy it, especially: oil, acetone, chloride, ethyl, ether. In case of doubts with substances are in work place of light fitting, which can damage the product, the action of fixing should be taken.



- Do not stare into working light source.



- Risk of electrical shock.

## 9. LIGHT FITTING MAINTENANCE AND SERVICING

**REMARK:** during the servicing and maintenance touching of LED are prohibited, because it will decrease the lifetime of light fitting and cause the loss of manufacturer's warranty.

**INSPECTION:** at least once a month. Inspection is made without opening the light fitting. User must check admission cables condition (insulation damage, cracks, burns etc.). Cables must not have any acute bends. Outside parts of the light fitting must be checked. No cracks or corrosion signs may occur. Bolts used to mount light fitting should be properly tightened, washers mustn't be cracked. Cleanliness of outer surfaces and light fittings surroundings must be checked. Light fittings may not be soiled by paint or grease. Do not allow for dust (dirt) deposition on the light fitting. The readability of rating and warning plates must be checked. Abnormalities found must be fixed.

**SERVICE AND MAINTENANCE:** at least once a year. Service and maintenance must be made with power supply turned off. User must make inspection steps first. After opening: metal parts painting, condition of inner wiring and its mounting, insulating materials, cable glands gaskets, terminals. Abnormalities found must be fixed. Rating and warning plates must be cleaned. Surfaces of insulating materials and covers must be clean.

**VERIFICATION OF TECHNICAL CONDITION:** at least once for 2 years. Power supply must be switched off. Light fitting must be uninstalled. Besides all the examination from inspection, service and maintenance paragraphs electrical examination from the inspection, service and maintenance paragraphs electrical examination must be also made: light fitting current consumption, insulation

examination, protective earthing condition. Special attention must be paid to insulating parts condition. No crack or burns may occur.

**CLEANING:** do not allow for dust (dirt) deposition on the light fitting. Cleaning must be proceeded without use of chemical. Cleaning must be proceeded with use of compressed air and soft cleaning cloth or soft brush. If necessary use water and/or neutral detergent, however without any chemicals, which can damage any part of the light fitting.

## 10. PARTS EXCHANGE

All parts considered as a spare parts must be ordered at manufacturer of light fitting.

## 11. REPAIRING

All repairs (excluding lamps exchange) may be made only by manufacturer or authorized repair workshops.

## 12. LAMP SOURCE EXCHANGE

Lamps exchange may be made only by specially trained personnel using the original components provided by ATM Lighting sp. z o.o.

## 13. TRANSPORT AND CONDITIONS OF STORAGE

During transport light fittings shouldn't be exposed to precipitation or mechanical shock.

Light fittings may be storage only in sheltered warehouses, within +5°C to +35°C temperature range, and relative humidity lower than 75%. No corrosion causing vapors or gases should be present.

## 14. DISPOSAL OF WASTE EQUIPMENT

User must obey relevant rules and regulations about disposal of wasted equipment valid in their country.

## 15. WARRANTY

- It is forbidden to use damaged or malfunctioned light fitting.
- It is required to disconnect power supply from the light fitting before any maintenance work.
- All specific information can be found in document „General terms and conditions warranty ATM Lighting sp. z o.o.” available at the website [www.atmlighting.pl/en/](http://www.atmlighting.pl/en/)

## ADDRESS:

**ATM Lighting sp. z o.o.**

ul. Budowlanych 31 80-298 Gdańsk

tel: +48 58 347 51 07 fax: +48 58 347 51 08

office[at]atmlighting.pl