



INSTALLATION AND MAINTENANCE MANUAL FOR
LUMINAIRE

HPL350



Carefully read the instructions before
mounting the luminaire.

TABLE OF CONTENTS

1.	GENERAL INFORMATION.....	3
2.	TECHNICAL INFORMATION.....	3
3.	CONSTRUCTION DESCRIPTION	4
4.	PRELIMINARIES.....	4
5.	LUMINAIRE MOUNTING.....	5
6.	ELECTRICAL CONNECTION	5
7.	CONDITIONS OF SAFETY USE.....	5
8.	LUMINAIRE MAINTENANCE AND SERVICING	6
9.	PARTS EXCHANGE.....	6
10.	REPAIRING	6
11.	LAMPS EXCHANGE	6
12.	TRANSPORT AND CONDITIONS OF STORAGE	7
13.	DISPOSAL OF WASTE EQUIPMENT	7
14.	WARRANTY	7

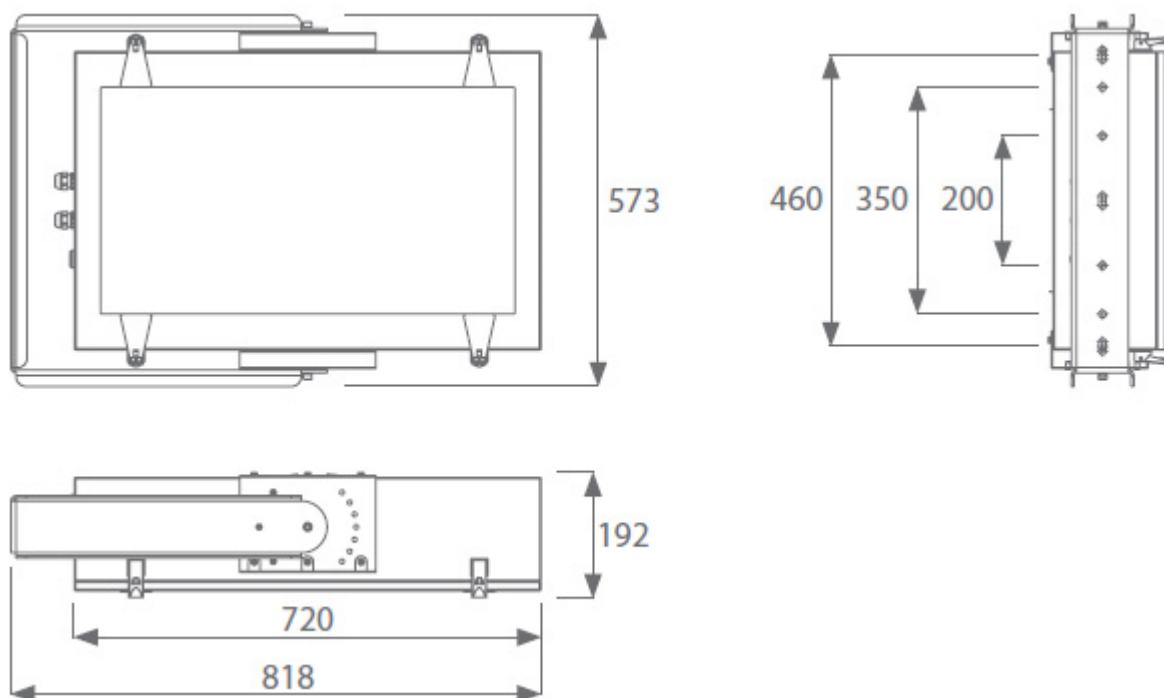
1. GENERAL INFORMATION

Industrial floodlight for high pressure discharge lamps. The luminaire is available with symmetrical or asymmetrical reflector.

H	P	L	3	5	0		3	2	M	50		M	2	5	BSS	GL										
grupa group			typ type			moc lamp lamps watt.			napięcie zasilania / voltage częstotliwość / frequency typ statcznika / ballast type			okablowanie cross wiring			wpusty kablowe cable entries materiał wpustu / cable entry material rozmiar wpustu cable entry size			materiał obudowy housing material			materiał klosza / diffuser material			rodzaj odbłyśnika type of reflector		
						250						10						SY								
						400						20						AS								
						600																				

2. TECHNICAL INFORMATION

Type	Lamp-holder	Lamp type	Power	Electrical unit	IP	Protection class	Power factor	Ambient temp.
HPL350-250-...	E40	HI/HS	1x250W	230V 50Hz	65	I	≥0,85	-25 do +50°C
HPL350-400-...			1x400W					
HPL350-600-...			1x600W					



3. CONSTRUCTION DESCRIPTION

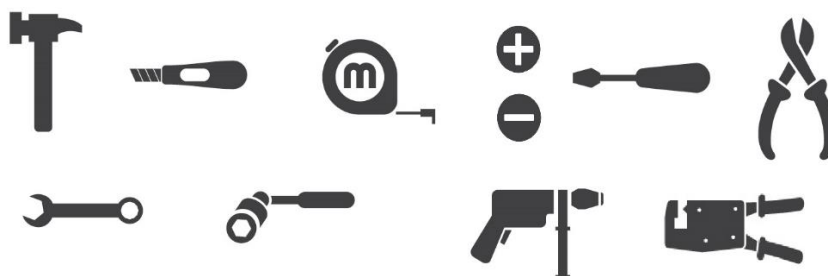
Housing is made of brushed stainless steel. Mounting tray is made of galvanized steel. Diffusers made of tempered glass. Reflector is made of hammered aluminum.

4. PRELIMINARIES

CONDITIONS OF SAFETY RULES

- Carefully read all the information included in the manual before mounting the luminaires
- General safety must be followed.
- Failure to comply with rules of the installation and use can lead to personal injury or property losses. ATM Lighting sp. z o.o. company takes no responsibility in such cases.
- Failure to comply with rules included in manual results with void of the manufacturer warranty.

NECESSARY TOOLS



5. LUMINAIRE MOUNTING

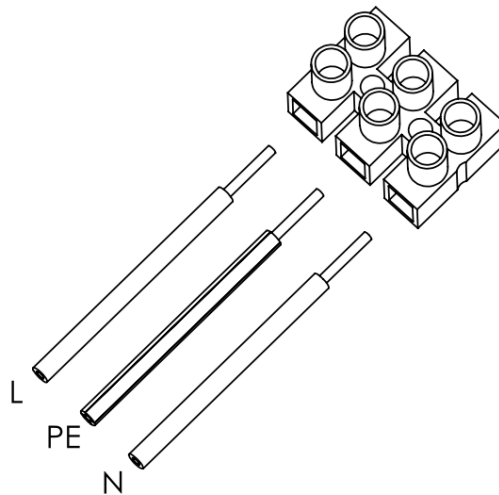
Luminaire is designed for direct installation on the ceiling.

6. ELECTRICAL CONNECTION

To connect power supply:

- enter the power cable to the housing through the cable entry (gland),
- carefully unisolate the wires (8-10mm), and put them into the connector according to a label inside the luminaire,
- precisely tighten power cable in the gland with two wrench,
- check the effectiveness of grounding.

Power connection:



Remarks:

- Use one wrench to tighten the sealing nut, while using the second wrench to block gland body against rotation, otherwise damage of the sealing can be caused and therefore sealing level will be decreased.

7. CONDITIONS OF SAFETY USE

- Every luminaire must have rating plates with rating data on it. Each luminaire is equipped with this „Installation and maintenance manual” , which must be kept by user until the end of exploitation.
- Luminaries are designed for fixed installations only.
- Using luminaire outside the designated operating temperature range is unacceptable and will decrease a lifetime of luminaire and/or damage it. It will also cause a loss of warranty.
- Each luminaire must have a warning sign: „do not open under voltage” on it.
- Admission cables must have 3-wires (with PE wire) and diameter 8-13mm.
- Use power wires with cross section 0,5-1,8mm².
- Maximum cross current I=16A.

8. LUMINAIRE MAINTENANCE AND SERVICING

INSPECTION: at least once a month. Inspection is made without opening the luminaire. User must check admission cables condition (insulation damage, cracks, burns etc.). Cables must not have any acute bends. Outside parts of the luminaire must be checked. No cracks or corrosion signs may occur. Bolts used to mount luminaire should be properly tightened, washers mustn't be cracked. Cleanliness of outer surfaces and luminaires surroundings must be checked. Luminaires may not be soiled by paint or grease. Do not allow for dust (dirt) deposition on the luminaire. The readability of rating and warning plates must be checked. Abnormalities found must be fixed.

SERVICE AND MAINTENANCE: at least once a year. Service and maintenance must be made with power supply turned off. User must make inspection steps first. After opening: metal parts painting, condition of inner wiring and its mounting, insulating materials, cable glands gaskets, terminals. Lampholder and the reliability of light source mounted in it must be checked. Abnormalities found must be fixed. Rating and warning plates must be cleaned. Surfaces of insulating materials and covers must be clean.

VERIFICATION OF TECHNICAL CONDITION: at least once for 2 years. Power supply must be switched off. Luminaire must be uninstalled. Besides all the examination from inspection, service and maintenance paragraphs electrical examination from the inspection, service and maintenance paragraphs electrical examination must be also made: luminaire current consumption, insulation examination, protective earthing condition. Special attention must be paid to insulating parts condition. No crack or burns may occur.

CLEANING: do not allow for dust (dirt) deposition on the luminaire. Cleaning must be proceeded without use of chemical. Cleaning must be proceeded with use of compressed air and soft cleaning cloth or soft brush. If necessary use water and/or neutral detergent, however without any chemicals, which can damage any part of the luminaire.

9. PARTS EXCHANGE

All parts considered as a spare parts must be ordered at manufacturer of luminaire.

10. REPAIRING

All repairs (excluding lamps exchange) may be made only by manufacturer or authorized repair workshops.

11. LAMPS EXCHANGE

Lamps exchange may be made only by personnel authorized to maintain explosion-proof equipment.

12. TRANSPORT AND CONDITIONS OF STORAGE

During transport luminaires shouldn't be exposed to precipitation or mechanical shock.

Luminaires may be storage only in sheltered warehouses, within +5°C to +35°C temperature range, and relative humidity lower than 75%. No corrosion causing vapors or gases should be present.

13. DISPOSAL OF WASTE EQUIPMENT

User must obey relevant rules and regulations about disposal of wasted equipment valid in their country.

14. WARRANTY

- It is forbidden to use damaged or malfunctioned luminaire.
- It is required to disconnect power supply from the luminaire before any maintenance work.
- All specific information can be found in document „General terms and conditions warranty ATM Lighting sp. z o.o.” available at the website www.atmlighting.pl/en/

ADDRESS:

ATM Lighting sp. z o.o.

ul. Budowlanych 31 80-298 Gdańsk

tel: +48 58 347 51 07 fax: +48 58 347 51 08

office@atmlighting.pl