



INSTALLATION AND MAINTENANCE MANUAL FOR  
LIGHT FITTING

# HPL430LED



IP66



Carefully read the instructions before  
mounting the light fitting.

## TABLE OF CONTENTS

1.	GENERAL INFORMATION.....	3
2.	TECHNICAL INFORMATION.....	3
3.	PHOTOMETRICAL DATA.....	4
4.	CONSTRUCTION DESCRIPTION .....	4
5.	PRELIMINARIES.....	4
6.	LIGHT FITTING MOUNTING.....	5
7.	PODŁĄCZENIE ELEKTRYCZNE .....	5
8.	CONDITIONS OF SAFETY USE.....	6
9.	LIGHT FITTING MAINTENANCE AND SERVICING .....	6
10.	PARTS EXCHANGE .....	<b>Błąd! Nie zdefiniowano zakładki.</b>
11.	REPAIRING .....	<b>Błąd! Nie zdefiniowano zakładki.</b>
12.	LAMPS EXCHANGE .....	<b>Błąd! Nie zdefiniowano zakładki.</b>
13.	TRANSPORT AND CONDITIONS OF STORAGE .....	<b>Błąd! Nie zdefiniowano zakładki.</b>
14.	DISPOSAL OF WASTE EQUIPMENT .....	<b>Błąd! Nie zdefiniowano zakładki.</b>
15.	WARRANTY .....	<b>Błąd! Nie zdefiniowano zakładki.</b>

## 1. GENERAL INFORMATION

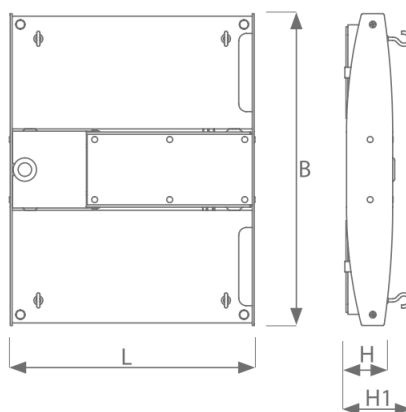
Watertight light fitting with LED light source. Designed to light indoor and outdoor areas such as corridors, halls, warehouses.

### DOSTĘPNE KONFIGURACJE | AVAILABLE OPTIONS

H	P	L	4	3	0	L	E	D	—				—	3	4	E	—	2	0	—	1	1	P	C	I	—	AL	—	GL	—	
grupa group			typ type			przybliżona moc approximate power			zasilanie power supply			okablowanie wiring			wpusty kablowe cable inlets			materiał obudowy housing material			materiał klosza diffuser material			uchwyt mocujący outtrim bracket							
			050																		AMO7										
			100																		AMO8										
			150																												

## 2. TECHNICAL INFORMATION

Type	Power	Electrical unit	IP	Protection class	Power factor	Ambient temp.
HPL430LED-0050	48 W	230V 0,50,60Hz	66	II	≥0,97	-30 do +45°C
HPL430LED-0100	104 W					
HPL430LED-0150	154 W					



Type	L	B	H	H1
HPL430LED	325	415	64	89

### 3. PHOTOMETRICAL DATA

Type	Luminous flux	Efficiency	Colour temperature	CRI	Lifetime
HPL430LED-0050	5700 lm	119 lm/W	4000K	>70	>50000 h
HPL430LED-0100	11200 lm	108 lm/W			
HPL430LED-0150	16600 lm	108 lm/W			

Lifetime of a LED modules: L<sub>70</sub>B<sub>10</sub>

### 4. CONSTRUCTION DESCRIPTION

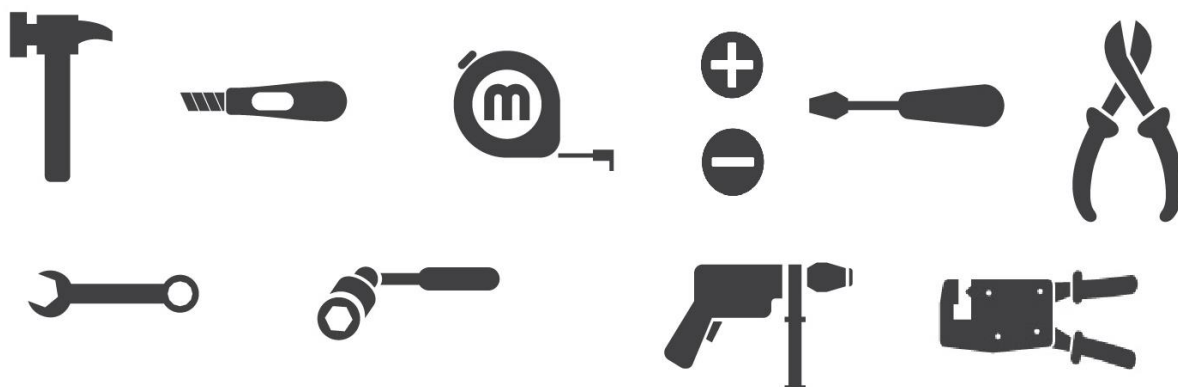
Housing is made of oxidized aluminium profile. Diffuser is made of tempered glass.

### 5. PRELIMINARIES

#### CONDITIONS OF SAFETY RULES

- Carefully read all the information included in the manual before mounting the light fitting
- General safety must be followed.
- Failure to comply with rules of the installation and use can lead to personal injury or property losses. ATM Lighting sp. z o.o. company takes no responsibility in such cases.
- Failure to comply with rules included in manual results with void of the manufacturer warranty.

## NECESSARY TOOLS



## 6. LIGHT FITTING MOUNTING

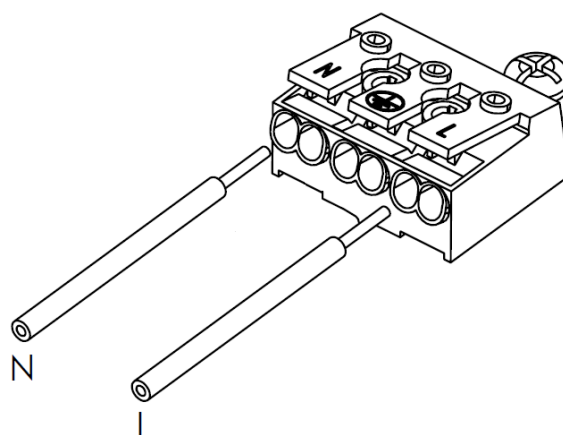
The light fitting is designed for installation with use of eye screw. The bracket has mounting holes. They are used to mount light fitting the wall or ceiling by the Allen screws 2xM8.

## 7. PODŁĄCZENIE ELEKTRYCZNE

To connect power supply:

- enter the power cable to the housing through the cable entry (gland),
- carefully unisolate the wires (8-10mm), and put it into the connector according to a label inside the light fitting,
- precisely tighten power cable in the gland with two wrench,
- check the effectiveness of grounding.

Power connection:



Remarks:

- Use one wrench to tighten the sealing nut, while using the second wrench to block gland body against rotation, otherwise damage of the sealing can be caused and therefore sealing level will be decreased.

## 8. CONDITIONS OF SAFETY USE

- Every light fitting must have rating plates with rating data on it. Each light fitting is equipped with this „Installation and maintenance manual”, which must be kept by user until the end of exploitation.
- Light fittings are designed for fixed installations only.
- Using light fitting outside the designated operating temperature range will decrease a lifetime of light fitting and/or damage it. It will also cause a loss of warranty.
- Each light fitting must have a warning sign: „do not open under voltage” on it.
- Admission cables must have 2-wires and diameter 6-12mm.
- Use power wires with section 0,5-1,8mm<sup>2</sup>.
- Maximum cross current I=16A.

## 9. LIGHT FITTING MAINTENANCE AND SERVICING

**REMARK:** during the servicing and maintenance touching of LED are prohibited, because it will decrease the lifetime of light fitting and cause the loss of manufacturer's warranty.

**INSPECTION:** at least once a month. Inspection is made without opening the light fitting. User must check admission cables condition (insulation damage, cracks, burns etc.). Cables must not have any acute bends. Outside parts of the light fitting must be checked. No cracks or corrosion signs may occur. Bolts used to mount light fitting should be properly tightened, washers mustn't be cracked. Cleanliness of outer surfaces and light fittings surroundings must be checked. Light fittings may not be soiled by paint or grease. Do not allow for dust (dirt) deposition on the light fitting. The readability of rating and warning plates must be checked. Abnormalities found must be fixed.

**SERVICE AND MAINTENANCE:** at least once a year. Service and maintenance must be made with power supply turned off. User must make inspection steps first. After opening: metal parts painting, condition of inner wiring and its mounting, insulating materials, cable glands gaskets, terminals. Lampholder and the reliability of light source mounted in it must be checked. Abnormalities found must be fixed. Rating and warning plates must be cleaned. Surfaces of insulating materials and covers must be clean.

**VERIFICATION OF TECHNICAL CONDITION:** at least once for 2 years. Power supply must be switched off. Light fitting must be uninstalled. Besides all the examination from inspection, service and maintenance paragraphs electrical examination from the inspection, service and maintenance paragraphs electrical examination must be also made: light fitting current consumption, insulation examination, protective earthing condition. Special attention must be paid to insulating parts condition. No crack or burns may occur.

**CLEANING:** do not allow for dust (dirt) deposition on the light fitting. Cleaning must be proceeded without use of chemical. Cleaning must be proceeded with use of compressed air and soft cleaning cloth or soft brush. If necessary use water and/or neutral detergent, however without any chemicals, which can damage any part of the light fitting.

## 10. PARTS EXCHANGE

All parts considered as a spare parts must be ordered at manufacturer of light fitting.

## 11. REPAIRING

All repairs (excluding lamps exchange) may be made only by manufacturer or authorized repair workshops.

## 12. LAMPS EXCHANGE

Lamps exchange may be made only by personnel authorized to maintain explosion-proof equipment.

## 13. TRANSPORT AND CONDITIONS OF STORAGE

During transport light fittings shouldn't be exposed to precipitation or mechanical shock.

Light fittings may be storage only in sheltered warehouses, within +5°C to +35°C temperature range, and relative humidity lower than 75%. No corrosion causing vapors or gases should be present.

## 14. DISPOSAL OF WASTE EQUIPMENT

User must obey relevant rules and regulations about disposal of wasted equipment valid in their country.

## 15. WARRANTY

- It is forbidden to use damaged or malfunctioned light fitting.
- It is required to disconnect power supply from the light fitting before any maintenance work.
- All specific information can be found in document „General terms and conditions warranty ATM Lighting sp. z o.o.” available at the website [www.atmlighting.pl/en/](http://www.atmlighting.pl/en/)

## DANE ADRESOWE:

**ATM Lighting sp. z o.o.**

ul. Budowlanych 31 80-298 Gdańsk

tel: +48 58 347 51 07 fax: +48 58 347 51 08

[office@atmlighting.pl](mailto:office@atmlighting.pl)